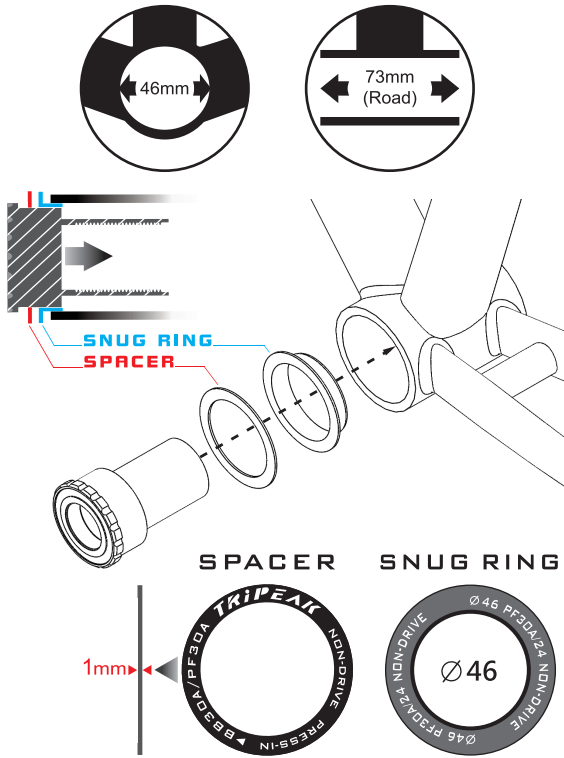


PF30A

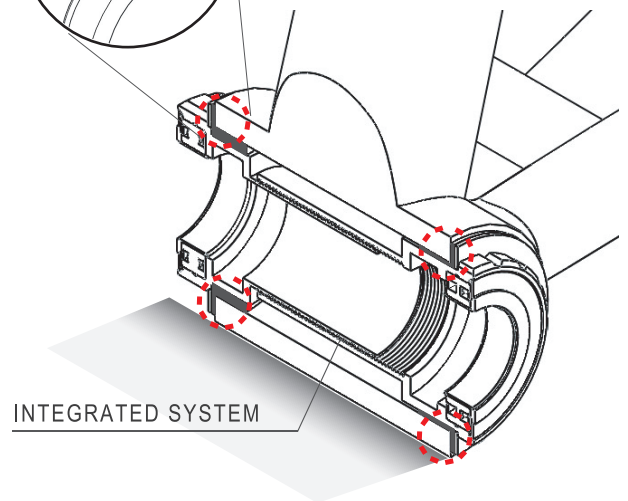
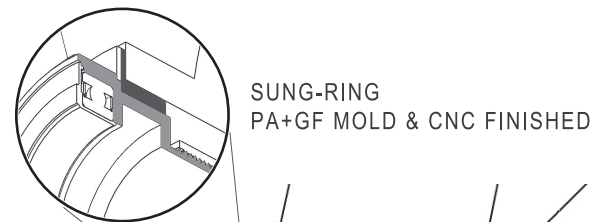
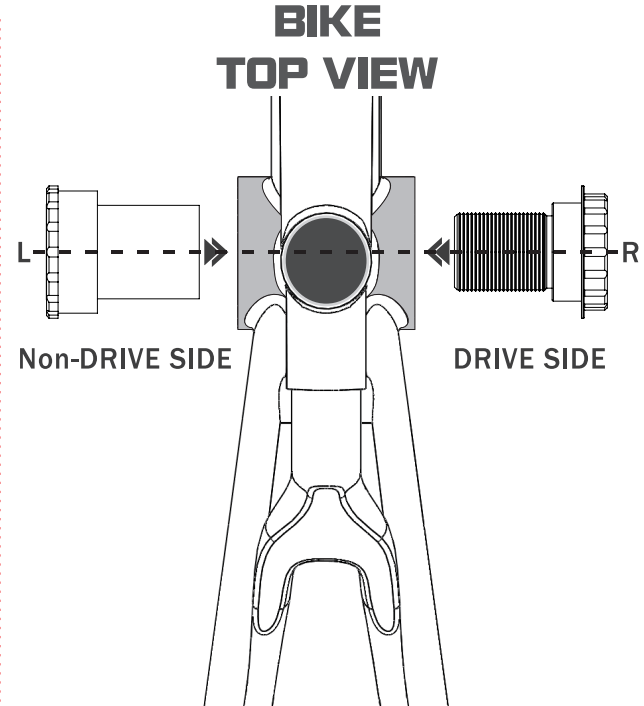
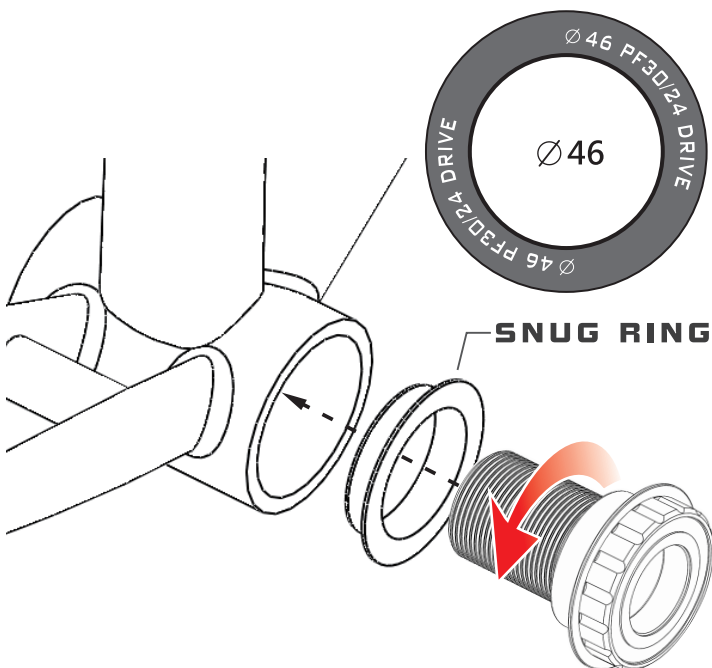
Bottom Bracket P/N : EMA-PF30A24-SH★

★ : CB (Ceramic Bearing) / SB (Steel Bearing) Shimano Compatible

Step 1 PRESS IN (NON-DRIVE SIDE)



Step 2 TWIST-LOCK (DRIVE SIDE)



INSTALLED-WIDTH

